

RFMD Green, RoHS Compliant, Pb-Free (Z Part Number)  
 Package: TSSOP, 16-Pin, 5.0mmx6.4mmx1.0mm

**Product Description**

RFMD's SRF-1016 is a quadrature demodulator RFIC designed for UHF and microwave receiver IF applications. This device features switchable gain control, high P1dB, and excellent I/Q amplitude and phase balance. Use of this highly integrated device can result in lower component count, a more compact assembly, and higher transceiver card yields. The device is packaged in an industry standard 16-pin TSSOP with exposed paddle for superb RF and thermal ground.

**Features**

- Gain Control in 20dB Steps
- Excellent I/Q Amplitude and Phase Balance
- Output P1dB > +4 dBm Over All Gain Settings

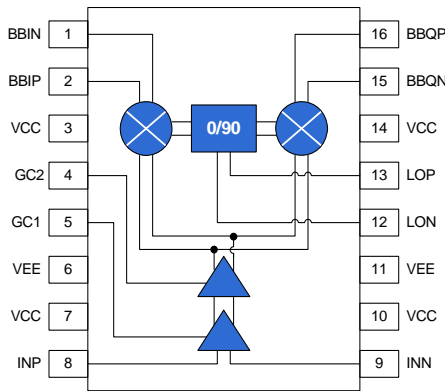
**Applications**

- Digital and Spread Spectrum Communication Systems
- Cellular, PCS, DCS, 2G, 2.5G, 3G Transceivers
- ISM Band Transceivers
- Point-to-Point Microwave Receivers
- Broadband Wireless Systems

**Optimum Technology Matching® Applied**

- GaAs HBT
- GaAs MESFET
- InGaP HBT
- SiGe BiCMOS
- Si BiCMOS
- SiGe HBT
- GaAs pHEMT
- Si CMOS
- Si BJT
- GaN HEMT
- RF MEMS

Functional Block Diagram



Parameter	Specification			Unit	Condition
	Min.	Typ.	Max.		
<b>IF Input</b>					
IF Frequency Range	65		300	MHz	
INP/INN Return Loss		20		dB	50Ω nominal differential input, Note 1
INP/INN Common Mode Voltage		2		V	Internally generated
Gain	28	31	33	dB	High gain setting GC1=GC2=+5V
Input P1dB	-26	-24		dBm	
DSB Noise Figure		11		dB	Medium gain setting GC1=+5V GC2=+0V
Gain	9	12	14	dB	
Input P1dB	-8	-6		dBm	
DSB Noise Figure		14.5		dB	Low gain setting GC1=GC2=0V
Gain	-9.0	-6.5	-4.0	dB	
Input P1dB	12	14		dBm	
DSB Noise Figure		31		dB	

RF MICRO DEVICES®, RFMD®, Optimum Technology Matching®, Enabling Wireless Connectivity™, PowerStar®, POLARIS™ TOTAL RADIO™ and UltimateBlue™ are trademarks of RFMD, LLC. BLUETOOTH is a trademark owned by Bluetooth SIG, Inc., U.S.A. and licensed for use by RFMD. All other trade names, trademarks and registered trademarks are the property of their respective owners. ©2006, RF Micro Devices, Inc.

## Absolute Maximum Ratings

Parameter	Rating	Unit
Supply Voltage	6.0	VDC
LO Input	+10	dBm
IF Input	+10	dBm
Operating Temperature	-40 to +85	°C
Storage Temperature	-65 to +150	°C

Operation of this device beyond any one of these limits may cause permanent damage. For reliable continuous operation, the device voltage and current must not exceed the maximum operating values specified in the table on page one.



**Caution!** ESD sensitive device.

Exceeding any one or a combination of the Absolute Maximum Rating conditions may cause permanent damage to the device. Extended application of Absolute Maximum Rating conditions to the device may reduce device reliability. Specified typical performance or functional operation of the device under Absolute Maximum Rating conditions is not implied.

RoHS status based on EU Directive 2002/95/EC (at time of this document revision).

The information in this publication is believed to be accurate and reliable. However, no responsibility is assumed by RF Micro Devices, Inc. ("RFMD") for its use, nor for any infringement of patents, or other rights of third parties, resulting from its use. No license is granted by implication or otherwise under any patent or patent rights of RFMD. RFMD reserves the right to change component circuitry, recommended application circuitry and specifications at any time without prior notice.

## Product Specifications - I/Q Output

Parameters	Min	Typ	Max	Unit	Additional Test Conditions
I/Q Output Frequency Range	DC		500	MHz	
I/Q Output Amplitude Balance	-0.2		0.2	dB	
I/Q output Phase Balance	-2		2	deg	
I/Q Output Common-mode Voltage		2.5		V	
I/Q Output Return Loss		20		dB	50Ω nominal differential output*

\* To achieve 20dB port match above 100MHz, the parasitic inductance of the package must be matched out.

## Product Specifications - LO Input

Parameters	Min	Typ	Max	Unit	Additional Test Conditions
LO Frequency Range	65		300	MHz	
LO Input Level	-3	0	+3	dBm	
LO Return Loss		20		dB	50Ω nominal differential input

\* To achieve 20dB of port match the parasitic inductance of the package, board, and L4, L5 must be matched at the center frequency with a series capacitor.

## Product Specifications - Miscellaneous

Parameters	Min	Typ	Max	Unit	Additional Test Conditions
Supply Voltage ( $V_{CC}$ )	+4.75	+5.0	+5.25	V	
Supply Current ( $I_{CC}$ )		195		mA	
Thermal Resistance		35	45	°C/W	Hot spot on die to lead
GC1, GC2 Input $V_{IL}$	0		$0.3 \times V_{CC}$	V	Logic level zero
GC1, GC2 Input $V_{IH}$	$0.7 \times V_{CC}$		$V_{CC}$	V	Logic level one
GC1, GC2 Input Impedance	40			kohm	

## Test Conditions

Gain State	GC1 Voltage	GC2 Voltage	IF Power
Low Gain	0V	0V	0dBm
Medium Gain	+5V	0V	-20dBm
High Gain	+5V	+5V	-40dBm

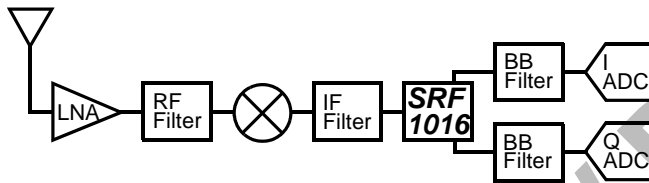
$V_{CC} = +5V_{DC}$ ,  $T = +25^{\circ}C$ , LO input = 0dBm, 200MHz, IF input = 201MHz

The SRF-1016 is a variable gain I-Q demodulator designed for use in receiver IF sections, as shown in the figure below. It consists of five subcircuits: two cascaded switched gain stages, a matched pair of mixers, and a LO quadrature generator. This part is also available in a higher frequency version, the SRF-2016.

The gain stages are broadband differential amplifiers each with a digital control pin to set the gain. The gain control pins act independently of each other. Since the amplifiers have approximately the same gain, setting GC1 high and GC2 low results in approximately the same gain as setting GC1 low and GC2 high. The former setting is preferred because it offers better noise figure. The IF input is differential with internal bias circuitry to set the common mode voltage. The use of blocking capacitors to facilitate AC coupling is highly recommended to avoid changing the common mode voltage. Either input may be driven single-ended if the other input is connected to ground through an AC short such as a 1000 pF capacitor. This typically results in slightly lower input  $P_{1dB}$ .

The two matched mixers are configured with the quadrature LO generator to provide in-phase and quadrature baseband outputs. These can be fed through ADCs to a DSP engine, or can be fed into a low frequency 90° hybrid for image rejection. Alternatively, the IF signal can be extracted from the BBI port by injecting DC into the LO port.

The LO and IF ports offer a differential 50Ω impedance. The package (and in the case of the input port, the parallel L-R network) adds inductance that tends to degrade return loss. This can easily be matched out with a series capacitor. The 27 pF capacitor on the evaluation board is appropriate for 200 MHz operation; larger capacitors should be used for lower frequencies.



Typical use for the SRF-1016 in a receiver employing digital I/Q demodulation.

The SRF-1016 has high gain at UHF frequencies, so instability can result if there is poor power supply decoupling or undesired coupling from the input to the output. The following considerations should be observed when laying out a PC board:

Follow the general layout of the evaluation board, keeping the power supply decoupling capacitors as close to the package as possible. The back of the package, the two ground pins and the decoupling capacitors should connect directly to ground, preferably to a large dedicated ground plane. Use the parallel L-R circuits on the input pins. Ensure that the input signal tracks are routed far from the output tracks. The  $V_{CC}$  pins are not internally connected, so all must be connected together externally with the specified decoupling capacitors.

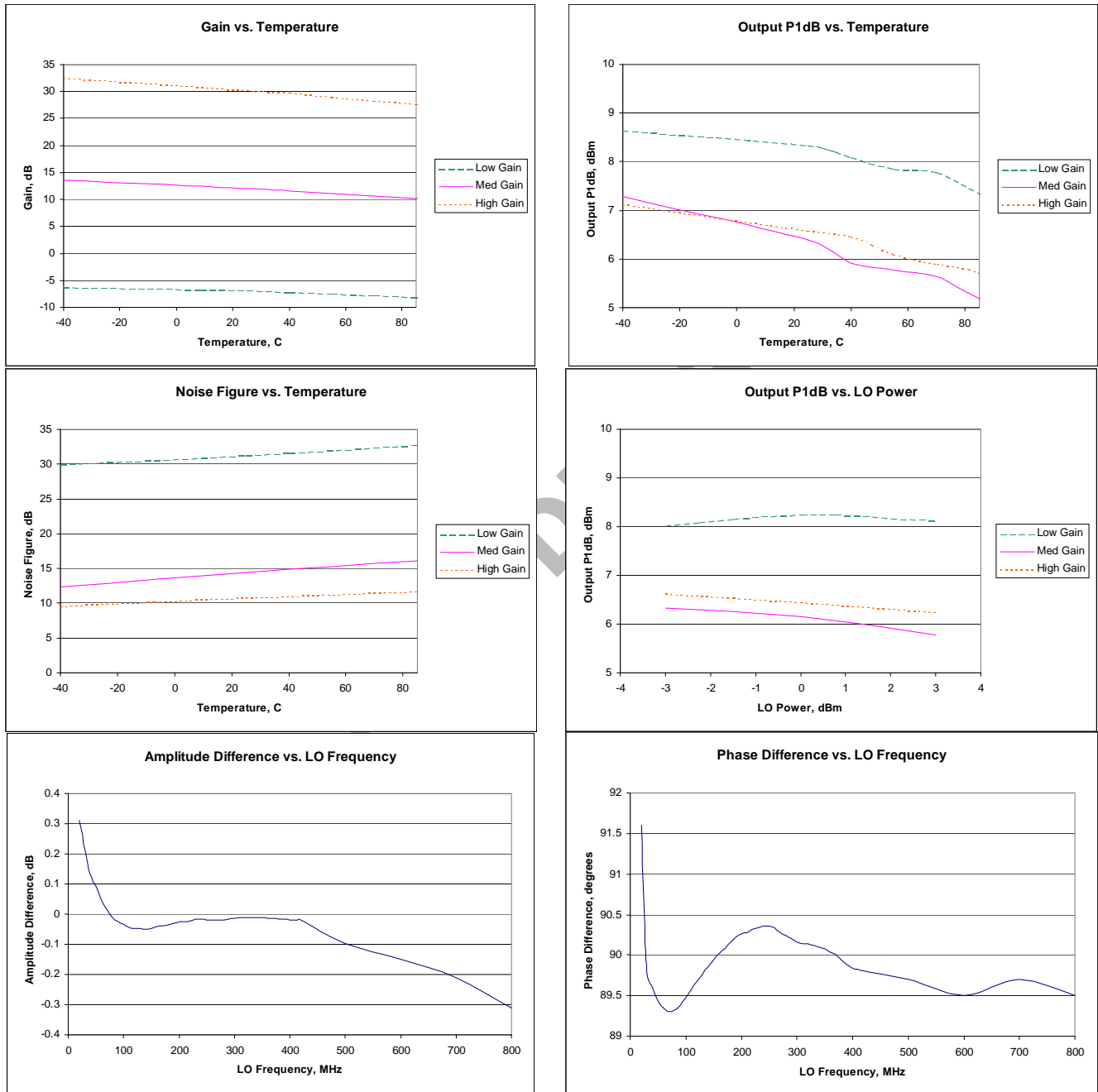
The figures on page 4 illustrate a typical SRF-1016's performance with respect to temperature. Note that these numbers include the effect of the R-L network in the IF port.

The frequency response of the IF and LO ports is dominated by the L-R network on the input. When de-embedded, the gain and  $P_{1dB}$  response is within 0.5 dB from 65 MHz to 300 MHz.

The SRF-1016 features immunity from changes in LO power. The gain typically changes by less than 0.6 dB over a 6 dB range of LO power. Also note the excellent I/Q balance, which typically falls within 0.1 dB and 1° from 65 MHz to 300 MHz, and varies less than 0.05 dB and 0.5° over temperature (-40 to +85C).

The package dimensions are shown on page 5. Note that heat is removed from the part via the heat slug, so this slug must be properly soldered to a copper plane under the part.

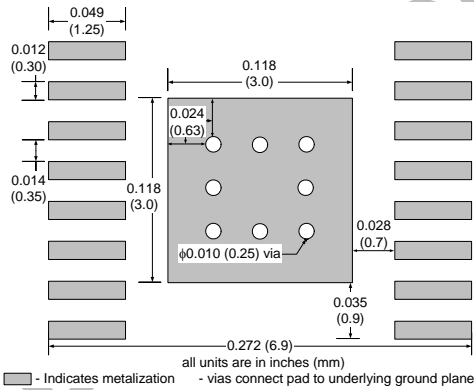
Evaluation boards are available for this device and a description of the board are shown on page 6. Note that the evaluation board uses baluns on the I/Q outputs, and these baluns limit the low frequency response of the device. For true baseband operation, the baluns should be removed, and the differential signals used directly.



Unless otherwise stated, measurements were taken with an IF frequency of 200MHz, an LO frequency of 201MHz, a baseband output of 1MHz, an LO power of 0dBm, at room temperature, with a supply voltage of 5volts. Measurements were done on the evaluation board.

Pin	Function	Description
1	BBIN	Baseband i-axis output (-). Self-biasing.
2	BBIP	Baseband I-axis output (+). Self-biasing.
3, 7, 10, 14	VCC	Positive power supply.
4	GC2	Gain control input, stage 2. 5V CMOS levels.
5	GC1	Gain control input, stage 1. 5V CMOS levels.
6, 11	VEE	Ground.
8	INP	IF input (+). Self-biasing; AC-couple.
9	INN	IF input (-). Self-biasing; AC-couple.
12	LON	LO input (-). Self-biasing; AC-couple.
13	LOP	LO input (+). Self-biasing; AC-couple.
15	BBQN	Baseband Q-axis output (-). Self-biasing.
16	BBQP	Baseband Q-axis output (+). Self-biasing.

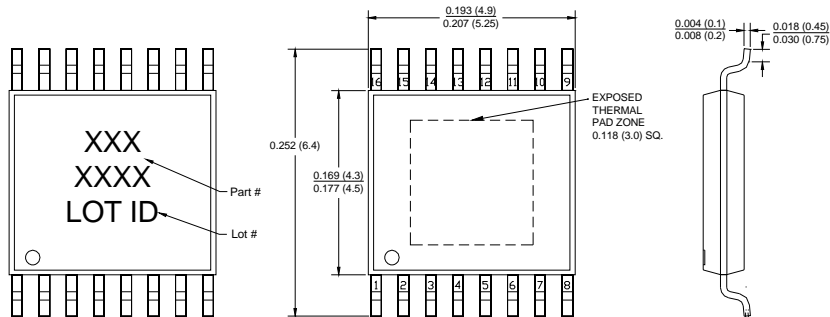
**Suggested PCB Pad Layout**



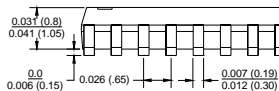
**Package Drawing**

Dimensions in inches (millimeters)

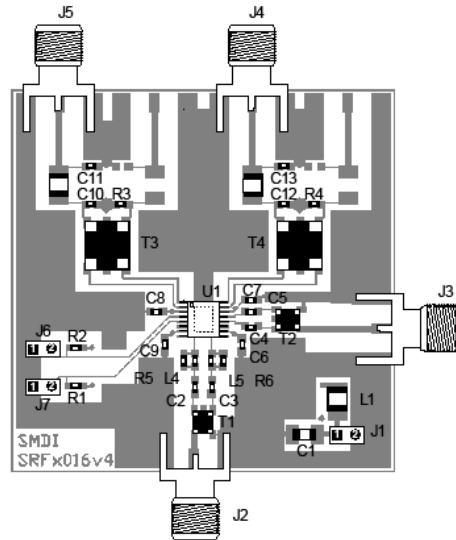
Refer to drawing posted at [www.rfmd.com](http://www.rfmd.com) for tolerances.



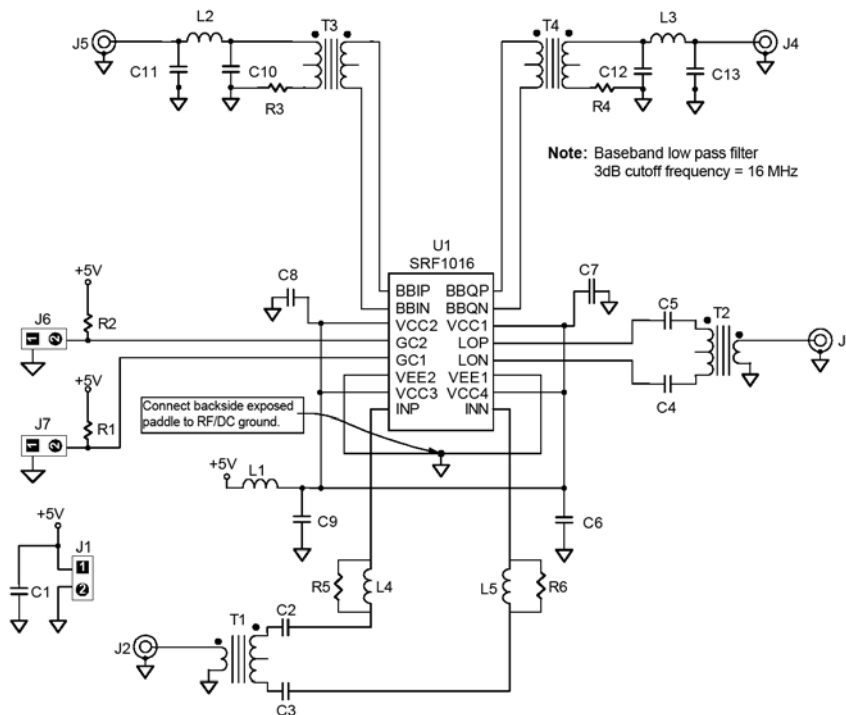
- NOTES:
1. PACKAGE BODY SIZES EXCLUDE MOLD FLASH PROTRUSIONS OR GATE BURRS.
  2. TOLERANCE  $\pm 0.1$ MM UNLESS OTHERWISE SPECIFIED.
  3. COPLANARITY: 0.1MM
  4. CONTROLLING DIMENSION IS MILLIMETER, CONVERTED INCH DIMENSIONS ARE NOT NECESSARILY EXACT.
  5. FOLLOWED FROM JEDEC MO-153.



## Fully Assembled PCB



## Demo Test Board Schematic Tuned for Operation at 200 MHz



**Bill of Materials**

Component Designator	Value	Qty	Vendor	Part Number	Description
U1		1	SMDI	SRF-1016	IF receiver
J1, J6, J7		3	Sullins	S1312-02-ND	2 pin 0.1" header
J2, J3, J4, J5		4	Johnson Components	142-0701-851	SMA end launch connector
T1, T2		2	Mini-Circuits	TC1-1	IF Transformer
T3, T4		2	Mini-Circuits	ADT1-6T	Baseband Transformer
C1	1 uF	1	Venkel	C1206Y5V160-105ZNE	1206 size supply bypass capacitor
C2, C3	27 pF	2	Venkel	C0603COG500-270JNE	0603 size coupling capacitor
C4, C5	68 pF	2	Venkel	C0603COG500-680JNE	0603 size coupling capacitor
C9	100 pF	1	Venkel	C0603COG500-101JNE	0603 size bypass capacitor
C6, C7, C8	22 pF	3	Venkel	C0603COG500-220JNE	0603 size bypass capacitor
C10, C11, C12, C13	220 pF	4	Venkel	C0603COG500-221JNE	0603 size filter capacitor
L1, L2, L3	1 uH	5	Panasonic	PCD1008TR-ND	1210 size filter inductor
R1, R2	1 kOhm	2	Venkel	CR0603-16W-102JT	0603 size pull-up resistor
R3, R4	0 Ohm	2	Venkel	CR0603-16W-000T	0603 jumper
R5, R6	50 Ohm	2	Venkel	CR0603-16W-500JT	0603 size stability resistor
L4, L5	10 nH	2	Toko	LL1608 FS10NJ	0603 size stability inductor
		1	SMDI	ECB-102274	Evaluation Board

**Ordering Information**

Part Number	Reel Size	Devices/Reel
SRF-1016	7"	1000
SRF-1016Z	7"	1000

**NOT FOR NEW DESIGNS**